



PRODUCT SPECIFICATIONS

DPF TO SUIT SANDVIK TH663 (QSK19)



DIRECT-FIT DPF UPGRADE FOR TH663

Aletek's DPF system is a direct-fit replacement for in-line installation on Sandvik TH663 trucks. This system improves air quality, exhaust performance and efficiency.

- Compatible with Cummins engine specifications
- Wall-flow DPF with regenerative catalyst coating
- Heavy-duty stainless steel
- Premium North American filters
- >99% DPM emission reductions
- Extended service life and reduced cleaning costs
- Oversized filters to prevent low power and backpressure issues



Safer air for underground | Direct-fit system | Trap diesel particulates | Premium grade filters | Reduced backpressure | Extended service life | Plug & Play data logger



Heavy duty stainless steel construction for extended product lifecycle



Data logger records backpressure, exhaust gas temperature and engine RPM



Designed for in-line replacement and integration with existing exhaust system



GLOBAL HEAD QUARTERS
 Queensland, Australia
 T 1300 886 628
 sales@aletek.com.au
 www.aletek.com.au

AUSTRALIA
 New South Wales
 Queensland
 Victoria
 Western Australia

USA
 Arizona
 California
 Utah

STH AMERICA
 Chile
 Colombia
 Peru

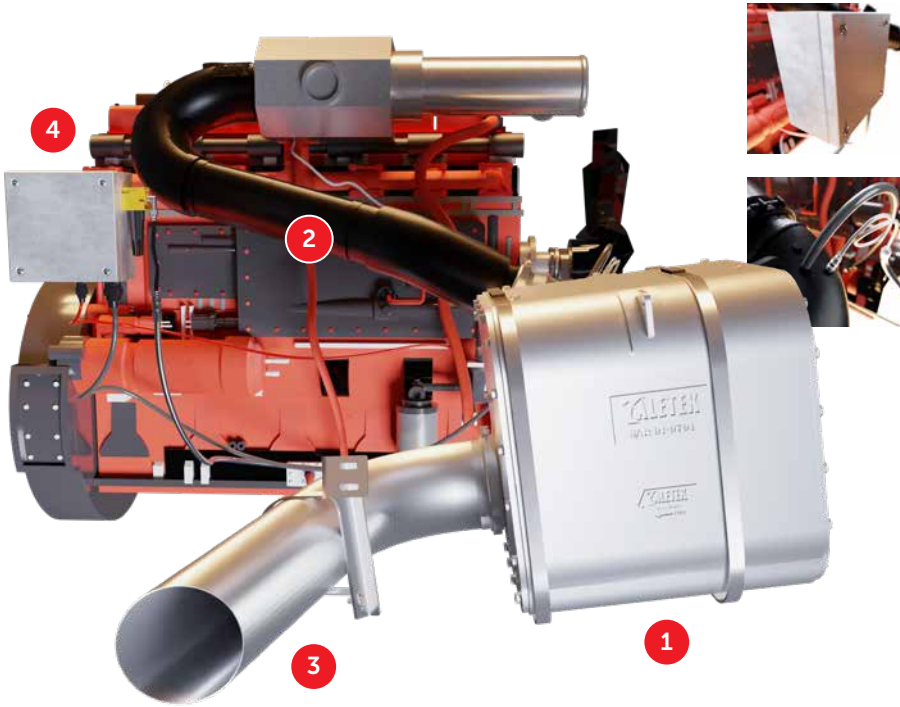
INDONESIA
 Kalimantan



PRODUCT SPECIFICATIONS

DPF TO SUIT SANDVIK TH663 (QSK19)

DPF SYSTEM COMPONENTS



1 DPF TO SUIT TH663 (QSK19)

Integration	Direct-fit replacement
DPM Emission Reductions	>99% (by count)
Gaseous Emission Reductions	>90% CO, 60-80% HC/VOCs
OEM Compliance	Meets Cummins specifications
Product Lifecycle	<20,000 hours
Warranty	12 months
Part No.	244-620 (DPF Group)

2 DPF ENGINE PIPE

Part No.	295-186
----------	---------

3 DPF TAIL PIPE

Part No.	292-308
----------	---------

DPF DATA LOGGER



Plug & Play data logger



Data port for Download



4 DPF DATA LOGGER

Enclosure	Stainless Steel IP66
Monitor	Record backpressure, engine RPM, exhaust gas temp.
Wiring	Plug and Play harness
Cable Fittings	Mil-Spec cable terminations with cannon fittings
Hoses & Sleeves	Stainless braided Teflon hose, fire-rated sleeve
Download	Dash-mounted data port

